

Odie

PERSONAL STORAGE COMPANION



Please welcome Odie, the latest addition to our portfolio of innovative Personal Storage Companions designed to help you thrive in today's dynamic workplace. Packed with personal storage and filing capacity, Odie is designed to travel distances comfortably...from classroom to classroom, floor to floor and building to building. Enhanced mobility features include oversized casters to roll over most surfaces with stability and durability. Stand up and protect your posture with Odie's three-stage telescoping handle. Odie pairs well with Bill and Marty to provide a wonderful opportunity to energize your workspace with another loyal, hard-working companion.



Odie

PERSONAL STORAGE
COMPANION



BASIC CONSTRUCTION

- All Great Openings products meet or exceed applicable ANSI-BIFMA standards for durability and safety
- 14 gauge steel frame and 12 gauge steel door, available in 72 standard colors and custom powder coat finishes
- Laminate interior shelf, back and fascia, available in white, grey or black
- Dual Durometer 75mm black/grey locking casters (2L/2NL) integrated into outrigger base for stability
- Ergonomic, three-stage telescoping handle
- Drawer bin includes self-closing suspension with file bar to accommodate side-to-side letter or legal files
- Detachable hook for hanging bags
- 200 lb weight limit

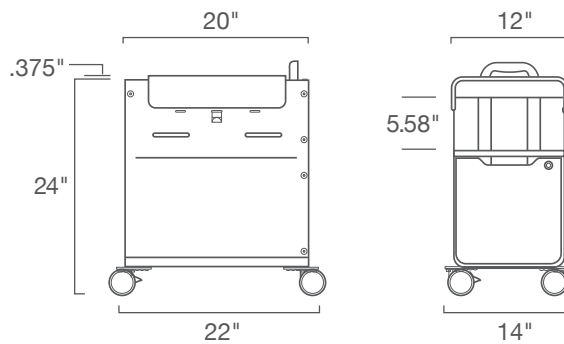
LOCK SYSTEM

- UM series, core-removable, master keyed, matte black finish

OPTIONS

- Low-profile vinyl pad with wrap-around design and magnetic attachment available in four colors

DIMENSIONS



Laminates			Vinyls			
M-1573-60 Frosty White	M-631-60 Classic Black	M-D381-60 Grey	STP 60 Raven	STP 66 Mist	STP 65 Smith	STP 67 Fire

ORDERING GUIDE

Description	H	D	W	Pkg Wt	Pkg Cube	Part #	Metal Color	Laminate		List Price
								M-1573-60 Frosty White	M-631-60 Classic Black M-D381-60 Grey	
Odie	24	20	12	62 lb	5.3 ft	LNA-2418	?	?	\$1,195	
Description	H	D	W	Pkg Wt	Pkg Cube	Part #	Vinyl		List Price	
							STP 60 GR2 Raven STP 66 GR2 Mist STP 65 GR2 Smith STP 67 GR2 Fire	?		
Magnetic Vinyl Pad	3/8	18	15	na	na	NACX0018XXXXK	?		\$260	



888-712-8582 greatopenings.com



Any Color Available
Over 72 Standard
Metal Finishes